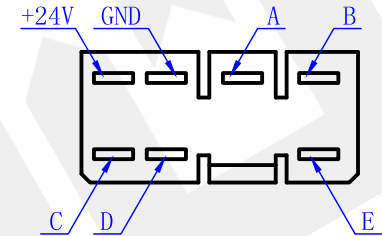
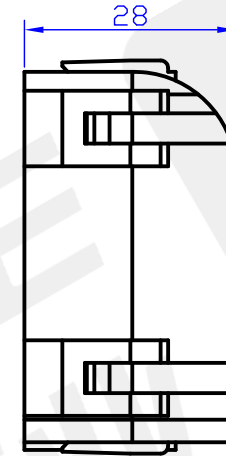
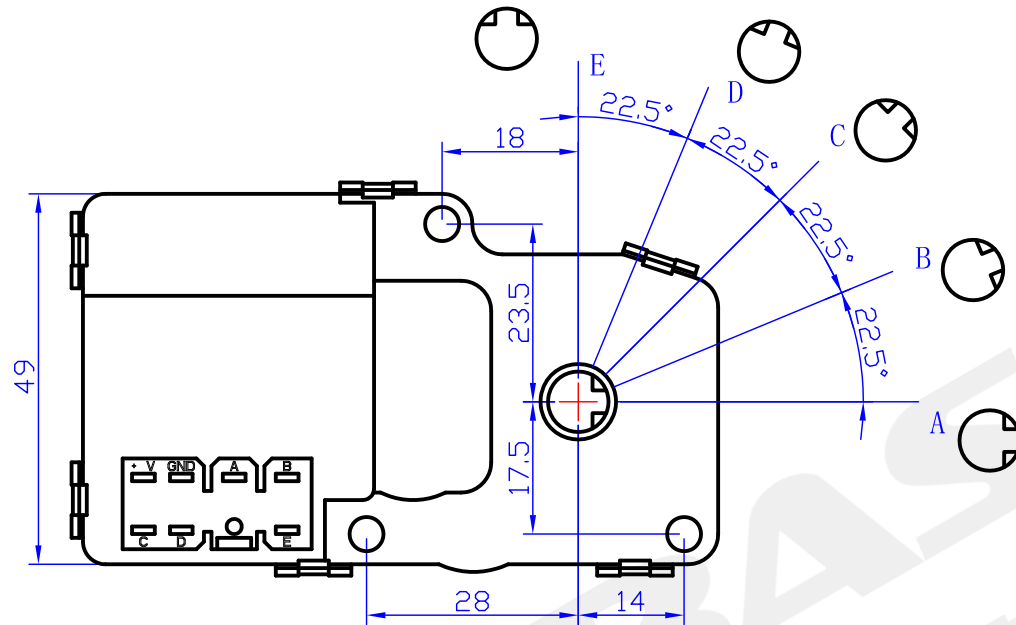
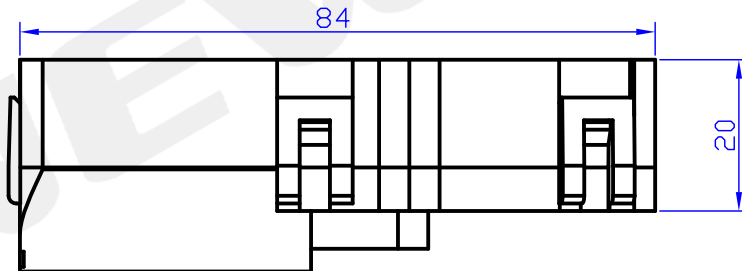


Technical data	
Power supply	DC24V(DC16-32V)
Current	Max.70mA
Power consumption	3W
Rotate direction	CW/CCW
Torque	4kgf.cm
Locked torque	12kgf.cm
Locked current	Max.250mA
Rotate angle	90°(Adjustable)



Connector model: DJ7072-3-212



- Operation Voltage : DC 12 V
- Usage Voltage : DC 8 V ~ 16 V
- Operation time : About 4±1 S
- Operation current : 0.07 A
- Lock current : 0.25 A
- Usage temperature : -30°C ~ 80°C
- Storage temperature : -40°C ~ 85°C

NAME			PART NO.		Mode actuator
DESIGNED			ACTUATOR		
CHECKED			MATERIAL		
APPROVED					
WEIGHT	SCALE	DATE	NEWBASE AUTO ELECTRONICS CO.,LTD		