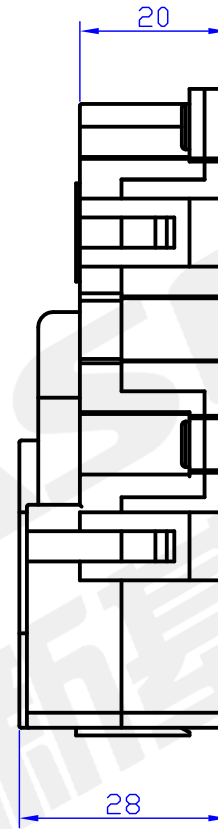
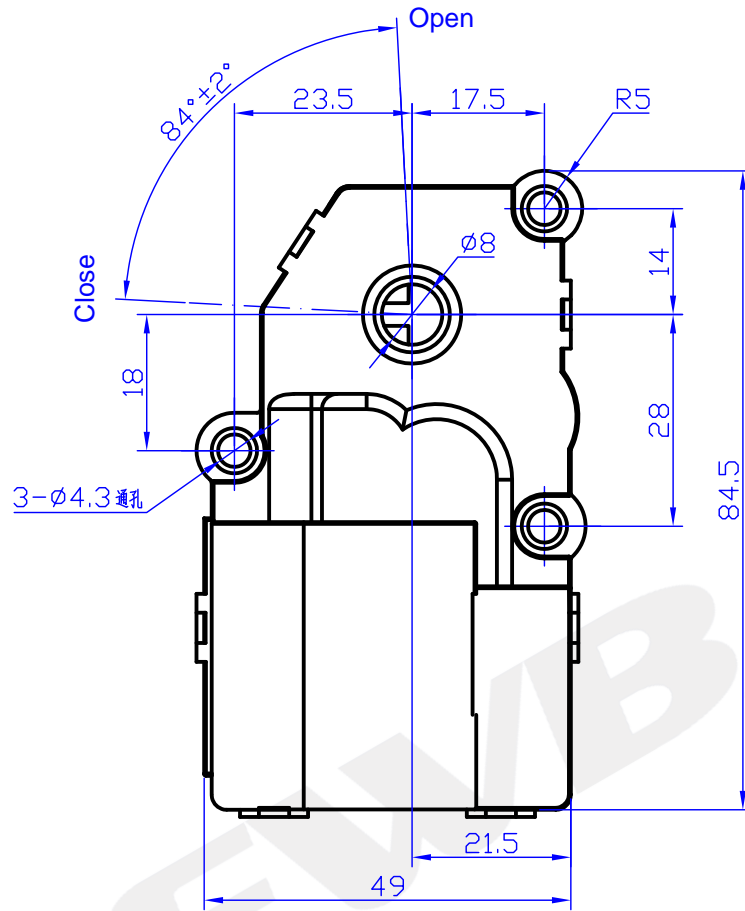
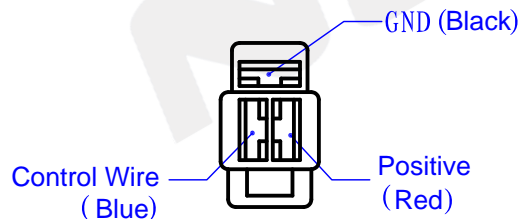


Technical data	
Power supply	DC24V(DC16-32V)
Current	Max.70mA
Power consumption	3W
Rotate direction	CW/CCW
Torque	4kgf.cm
Locked torque	12kgf.cm
Locked current	Max.250mA
Rotate angle	90°(Adjustable)



**Technical Data**

Power supply	DC24V
Power consumption	3W
Current	Max. 125mA
Electronic connection	Max. 1m*0.5mm <sup>2</sup>
Direction of rotation	CW/CCW
Angle of rotation	84±2° (customized)
Torque	6Kgf. cm
Running time	4±1 s/rpm
Locked torque	>16Kgf. cm
Locked current	Max. 300mA
Noise level	Max. 45DB (A)
Ambient temperature	-30℃-80℃
Storage temperature	-40℃-85℃
Life	Max. 500000cycle
Dimensions	84.5*49*28mm
Weight	94g
Quality certifications	QS9000/ISO9001



Connector Model No.:DJ7031A-6.3-211

NAME			PART NO.	Switch actuator
DESIGNED				
CHECKED				
APPROVED				
WEIGHT	SCALE	DATE	NEWBASE AUTO ELECTRONICS CO.,LTD	